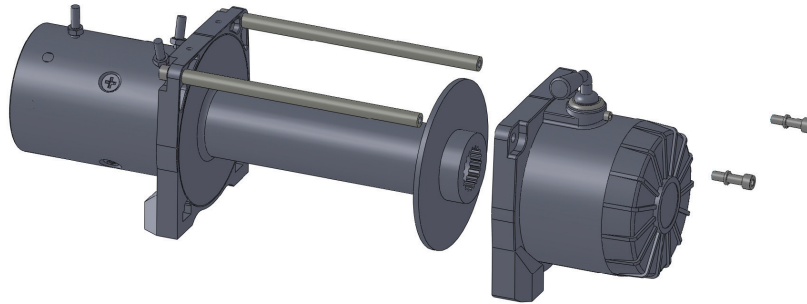


# STANDARD SERIES Gearbox Rotation Guide

IIXP / All EWX Models

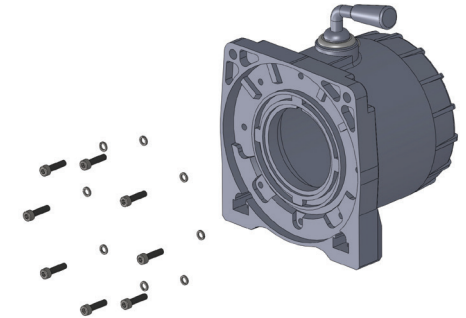
## Step 1

Remove the 2 bolts on the gearbox housing which holds the tie bars in place.



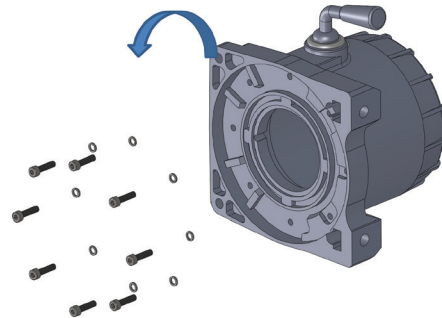
## Step 2

Pull the gearbox away from the winch and remove the 8 bolts.



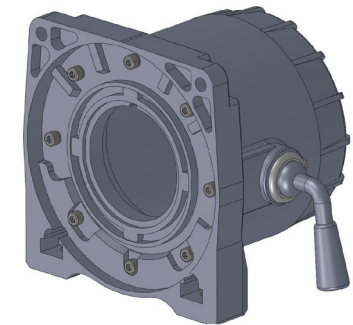
## Step 3

Rotate the gearbox housing into the desired position. Each bolt hole represents a 45 degree rotation.



## Step 4

Place the 8 bolts back into the gearbox housing and tighten.



## Step 5

Slide the gearbox back onto the winch drum and tighten the two bolts you removed during Step 1.

